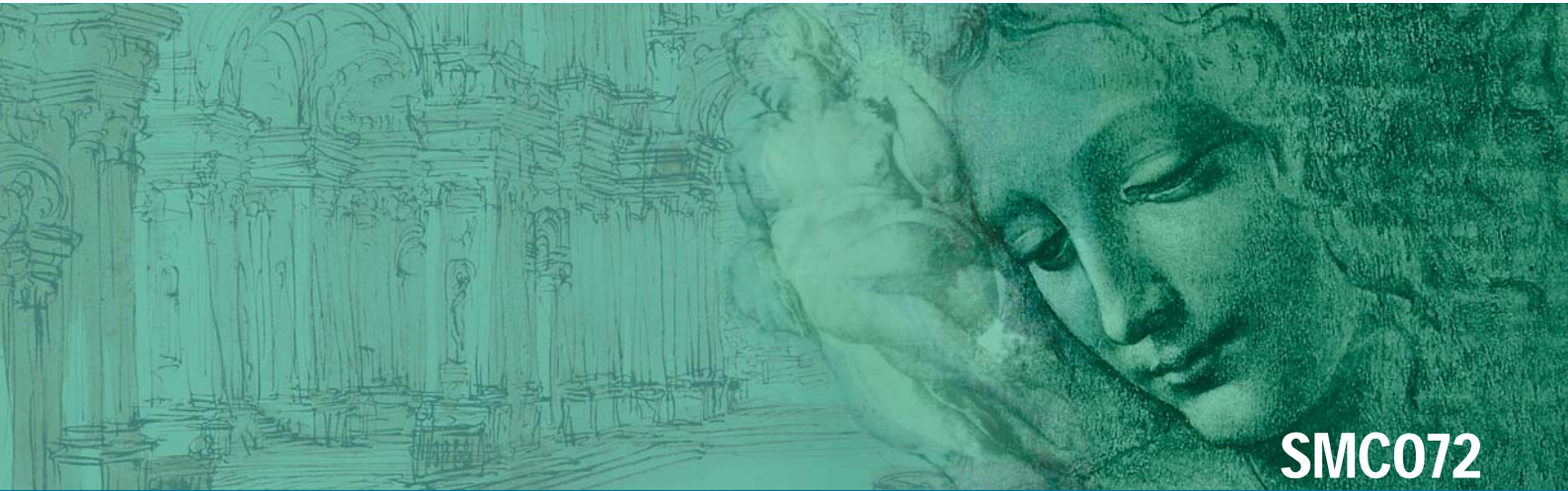




GREEN ELECTRONICS



SMC072

Supports



ISO
9001



ISO
14001



BS OHSAS
18001:2007



SAURO[®]

ELECTRONIC CONNECTORS

by the law

SMC 072

Modular Supports



Width of PCB:
72 mm (2.835 in)



Support Type:
MODULAR



Standard Colour:
GREEN

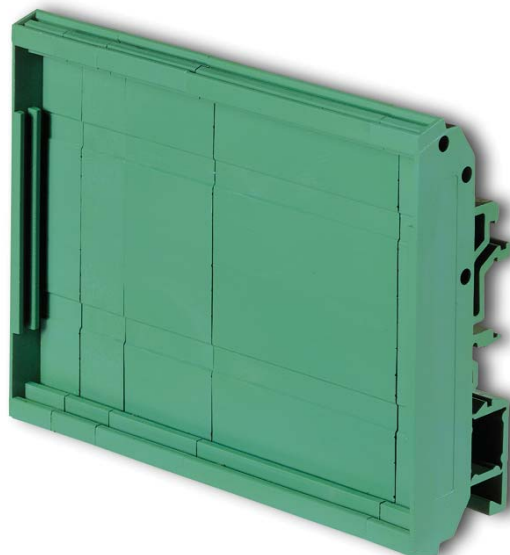


Thickness of PCB:
.063 in (1.6 mm)



Material:
PA6.6 (UL94-V0)

▶ SMC072



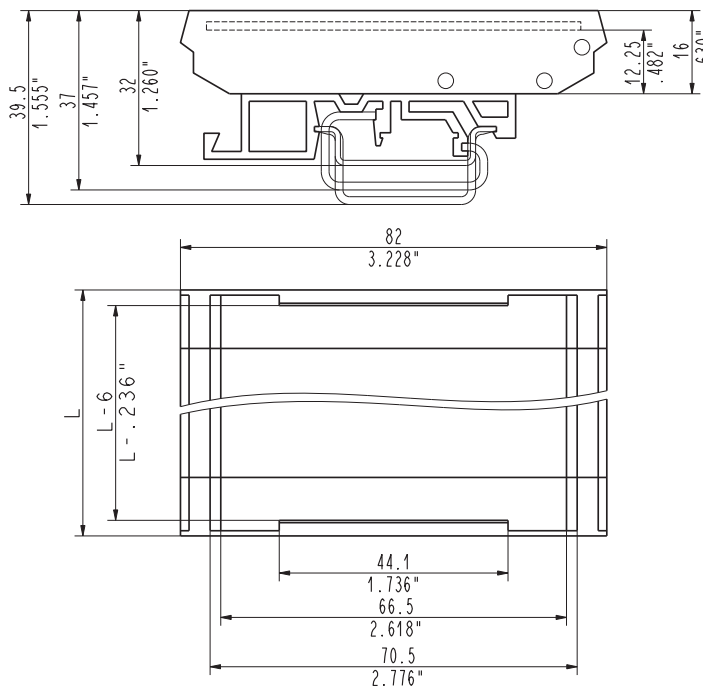
SMC 072

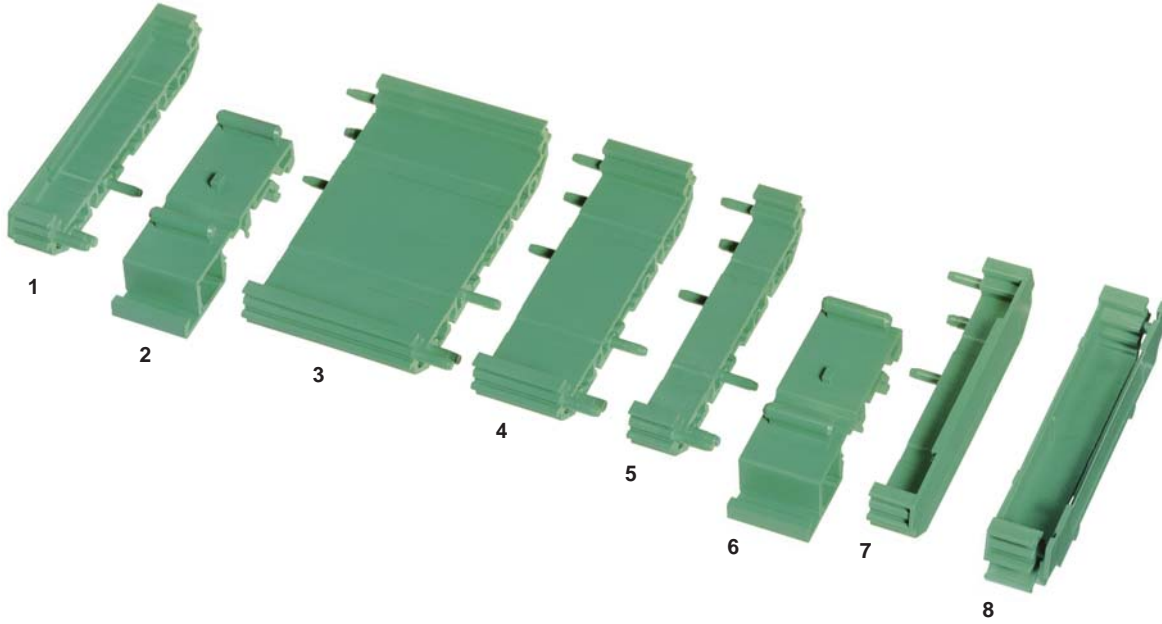
▶ Modular Supports for 72 mm (2.835 in) Wide Boards

Base Elements with two **Lateral Elements** and one or two **DIN Rail Hooks** are combined together in order to obtain PCB Supports according to the following table.

For 11 mm (.433 in) wide PCBs, a single **Complete Module** is provided by assembling two parts together.

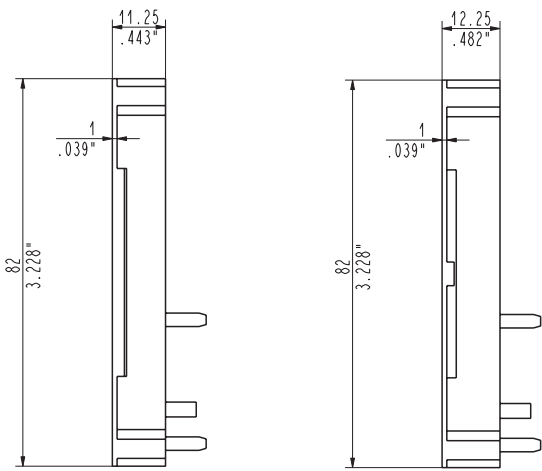
▶ Modular Supports for 72 mm (2.835 in) Wide Boards





- 1 SMC072T011
- 2 SMC072P020
- 3 SMC072S045
- 4 SMC072S022
- 5 SMC072S011
- 6 SMC072P020
- 7 SMC072T011
- 8 SMC072T013

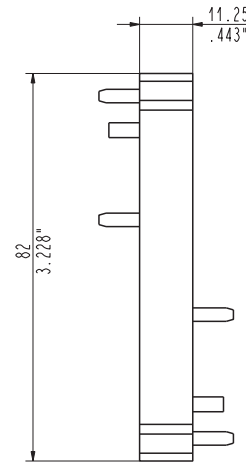
Lateral Element



SMC072T011

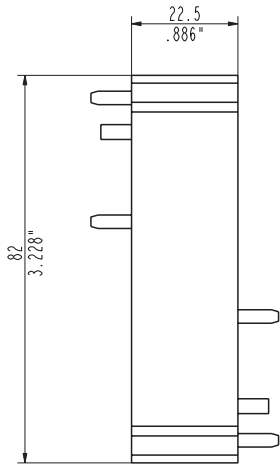
SMC072T012

Base Element



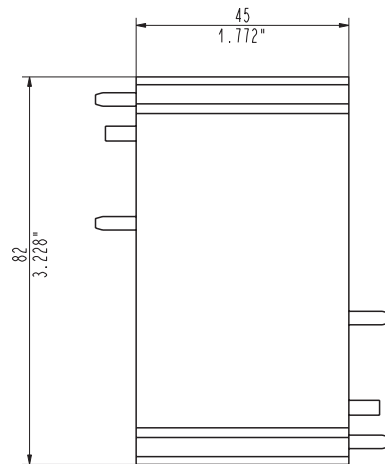
SMC072S011

Base Element



SMC072S022

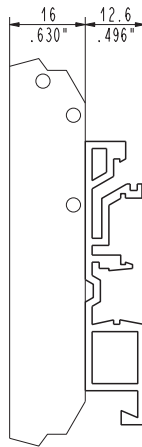
Base Element



SMC072S045

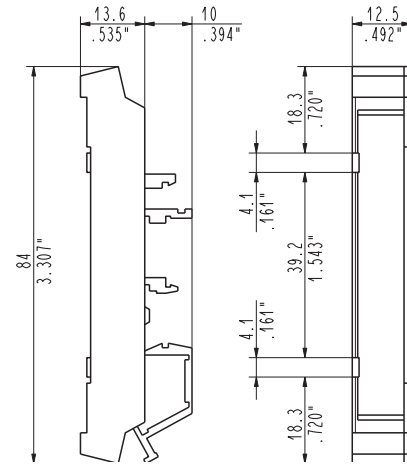
Modular Supports

DIN Rail Hook



SMC072P020

Complete Module



SMC072T013

Description	Part-Number	Pcs / pack
Lateral Element with Rail Hook	SMC072T011	50
Base Element	SMC072S011	50
Base Element	SMC072S022	50
Base Element	SMC072S045	50
DIN Rail Hook	SMC072P020	50
Complete Module	SMC072T013	50

The following table shows the configuration of support elements and the corresponding total length of the assembled support and the length of the PCB.

Length of PCB		Length of support		Lateral Element	Base Element	Base Element	Base Element	DIN Rail Hook	Complete Module
(mm)	(in)	(mm)	(in)	SMC072T011	SMC072S011	SMC072S022	SMC072S045	SMC072P020	SMC072T013
11,00	.433	12,50	.492						1
20,00	.787	22,50	.886	2				1	
31,25	1.230	33,75	1.329	2	1			1	
42,50	1.673	45,00	1.772	2		1		2	
53,75	2.116	56,25	2.215	2	1	1		2	
65,00	2.559	67,50	2.657	2			1	2	
76,25	3.002	78,75	3.100	2	1		1	2	
87,50	3.445	90,00	3.543	2		1	1	2	
98,75	3.888	101,25	3.986	2	1	1	1	2	
110,00	4.331	112,50	4.429	2			2	2	
121,25	4.774	123,75	4.872	2	1		2	2	

EXAMPLES OF INSTALLATION

SMC 072 Modular Supports

